

ACE

Electric Stacker (ESS)

Capacity : 1.5T - 2.0T

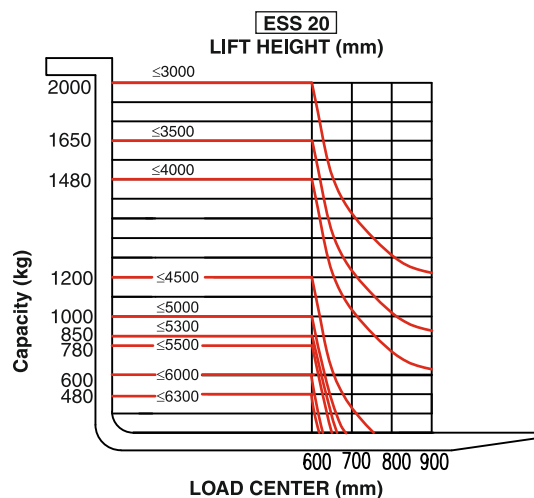
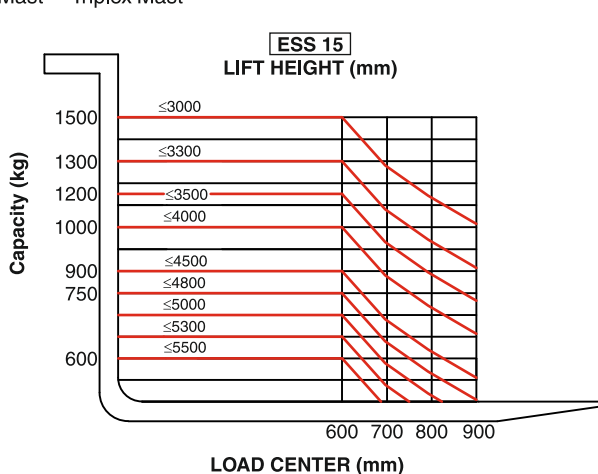
High Performance & rugged
Electric Stacker

ACE INDIA'S NO. 1
CRANE BRAND



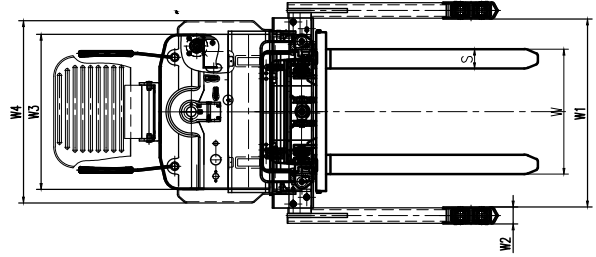
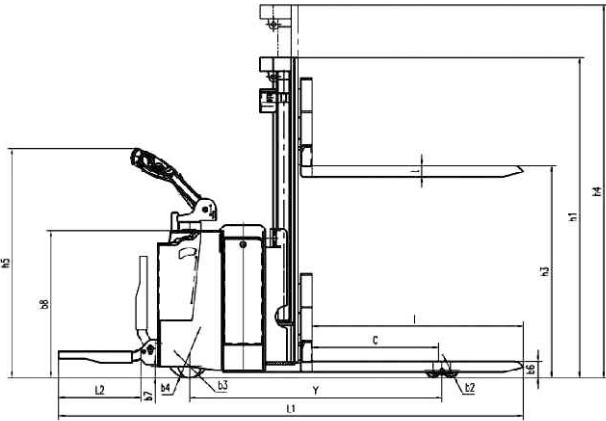
PROPERTIES	DESCRIPTION		UNIT	TECHNICAL SPECIFICATIONS	
	Model			ESS15	ESS20
Identification	Type of Drive			Fully Electric	
	Capacity	Q	Kg	1500	2000
	Lift Height	H3	MM	3000	4500
	Load Center	C	MM	600	
	Service Weight (apx.)		Kg	*1170 / **1315	*1430 / **1620
	Wheel Type			Polyurethane	
Performance	Travel Speed (Laden/Unladen)		km/h	5 / 5.3	
	Lift Speed (Laden/Unladen)		MM/s	58/148	
	Lower Speed(Laden/Unladen)		MM/s	145/80	
	Gradeability(Laden/Unladen)		%	5/7	
	Service Brake			Electromagnetic	
Power	Drive Motor		Kw	1.5	
	Lift Motor		Kw	2.2	3
	Battery Voltage /Capacity		V/Ah	24/225	
	Control System			CURTIS AC Controller	
	Battery Size		mm	790x210x576	
Other	Aisle Width (Pallets 1000x1200 mm)		mm	*2428 / **2511	*2573 / **2620
	Aisle Width (Pallets 800x1200 mm)		mm	*2358 / **2444	*2506 / **2550
	Min Turning Radius	Wa	mm	*1550 / **1612	*1662 / **1707

*Duplex Mast **Triplex Mast



MAST DETAILS FOR ELECTRIC STACKER (ESS Model)

MAST TYPE	MAX FORK HEIGHT (mm) h3	LOAD CAPACITY @ MFH (KGS)		MAST LOWERED HEIGHT (mm) h1		MAST EXTENDED HEIGHT (mm) h4		FREE LIFT HEIGHT (mm)	
		ESS15	ESS20	ESS15	ESS20	ESS15	ESS20	ESS15	ESS20
DUPLEX	3000	1500	2000	2070	2080	3845	3845	-	-
	3300	1300	1900	2220	2230	4145	4145	-	-
	3500	1200	1650	2320	2330	4345	4345	-	-
	4000	1000	1480	2570	-	4845	-	-	-
TRIPLEX	4500	900	1200	2105	2115	5355	5355	1530	1530
	5000	750	1000	2275	2285	5855	5855	1696	1696
	5500	600	780	2445	2455	6355	6355	1864	1864
	6000	-	600	-	2615	-	6855	-	2030
	6300	-	480	-	2725	-	7155	-	2130



Properties	Model	Unit		ESS15	ESS20	
Wheel	Wheel Type			Polyurethane		
	Size of Front Wheel ϕ	b2	mm	96		
	Size of Support Wheel ϕ	b3	mm	124		
	Size of Drive Wheel ϕ	b4	mm	230		
	Wheel Base	Y	mm	1362	1432	
	Wheels, Number Front / Rear(x=Driven Wheels)			1 x +2/4		
Specifications	Lowered Height of Fork	b6	mm	70		
	Rear Body Width	b11	mm	800	850	
	Rear Body Length	L2	mm	585		
	Rear Body height	b8	mm	800		
	Height of tiller arm in drive Position Min & Max	h5	mm	1030-1200		
	Overall Length (with/without platform)	l1	mm	1985/2510		
	Overall Width	w4	mm	1150		
	Fork Size	l x w x t	mm	1070x100x35	1070x120x40	
	Width Over Forks	w	mm	200-800	240-800	
	Ground Clearance	b7	mm	30		
	Electric Power Steering (EPS)			Optional		
	Operator Platform			Optional		
	Straddle	ID	w1	mm	1140 – 1280	
		OD		mm	1290 – 1430	
Straddle Arms		w2	mm	75		

Features :

- Articulating polyurethane load wheels for excellent durability, especially on uneven surfaces.
- Regenerative braking.
- **'Battery discharge indicator'** provided to monitor state of charge.
- Stand on platform for operator
- Electromagnetic brakes.
- AC traction motor.
- **'EPS'** Electric power steering system for smooth operation while maneuvering in confined area. (Optional)
- Quick battery change system.

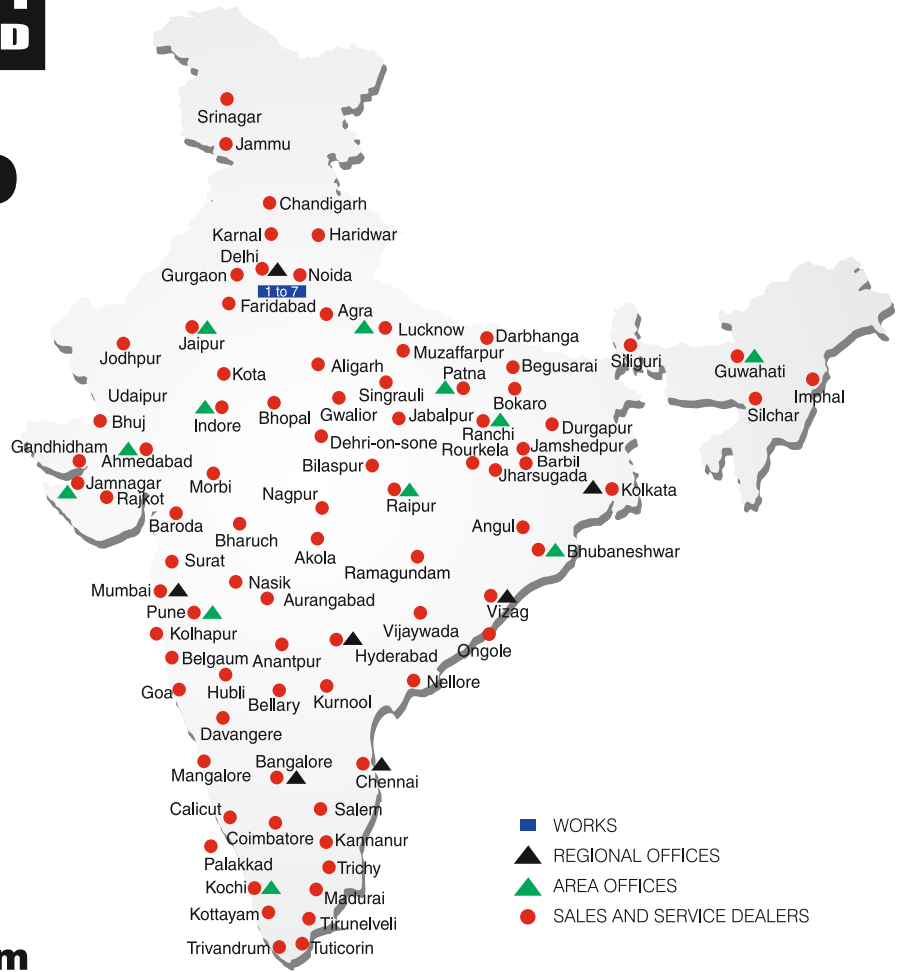


BUILT TO PERFORM



**RELIABLE AND
DEPENDABLE
EFFICIENCY**

NETWORK



www.ace-cranes.com

MARKETING H.Q.

4th Floor, Pinnacle
Surajkund, NCR-121009
Ph. : +91-129-4550000
Fax : +91-129-4550022
E-mail: marketing@ace-cranes.com

REGISTERED OFFICE

Dudhola Link Road, Dudhola
Palwal-121102, Haryana
Ph.: +91-1275-280111
Fax: +91-1275-280133
CIN : L74899HR1995PLC053860

MUMBAI OFFICE

31, "Kalpataru Court"
Chembur, Mumbai - 400074
Ph.: +91-22-25206846, 25207070
Fax: +91-22-25207071
E-mail: acemumbai@ace-cranes.com

KOLKATA OFFICE

"Forma Towers" 84-A, Second Floor
AJC Bose Road, Kolkata - 700014
Ph.: +91-9038070630
E-mail: acekolkata@ace-cranes.com

CHENNAI OFFICE

1st Floor, "Alsa Regency", 165
Eldams Road, Alwar Pet
Chennai - 600018
Ph.: +91-44-24314253
Fax: +91-44-24314252
E-mail: acechennai@ace-cranes.com

HERE TO SERVE YOU.

SPARE PARTS & SERVICE

ACE has all India Sales and Service network operating out of all the major cities. These outlets are fully equipped to provide genuine spare parts and services by company trained engineers. These outlets are further supported by company officials based at Delhi, Mumbai, Chennai, Kolkatta, Ahmedabad, Surat, Pune, Jaipur, Chandigarh, Ranchi, Raipur, Indore, Bhubneshwar, Lucknow, Jamnagar, Hyderabad, Bangalore, Guwahati, Patna, Vizag & Kochi.



Action Construction Equipment Ltd.

Contact:



ACE reserves the right to alter any specifications without prior notice. Dimensions, weights & capacities mentioned herein are variable by ± 5%. Accessories if shown are not part of the Standard Equipment.