

# ACE

## Forklifts

**Capacity : 6, 8, 10 tons**

High Performance & rugged  
Forklift Trucks.

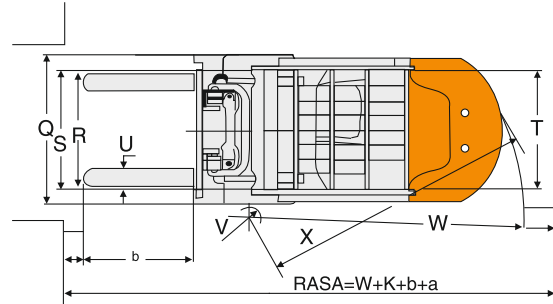
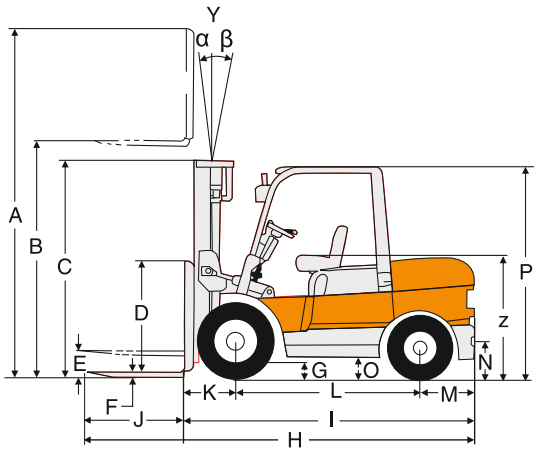
**ACE** INDIA'S NO. 1  
CRANE BRAND





## SPECIFICATIONS

Model	Unit	AF 60D	AF 80D	AF 100D		
<b>Load Capacity</b>	Kg	6000	8000	10000		
<b>Power</b>		Diesel				
<b>Tyres</b>	Front / Rear	Pneumatic				
<b>Wheel (s)</b>	Front / Rear	4 / 2				
<b>Fork Height (std.)</b>	mm	3000				
<b>Fork Size (LxWxT)</b>	mm	1220 x 150 x 60	1220 x 150 x 80	1220 x 175 x 80		
<b>Tilt Angle <math>\alpha(\alpha-\beta)</math></b>	degree	6° - 12°				
<b>Overall length</b>	mm	4770	4860	5390		
<b>Overall Width</b>	mm	1995	2025	2245		
<b>Overall Lowered Height</b>	mm	2500		2850		
<b>Overall Raised Height (* With load backrest)</b>	mm	4380*		4320		
<b>Overhead Guard Clearance (from face of seat)</b>	mm	1100		1120		
<b>Turning Radius (Outside)</b>	mm	3300	3400	3900		
<b>Speed (s)</b>	Travel (F/ R)	With/Without Load	Km/h	27	30	
		Lifting	With Load	mm/s	395	310
	Without Load		mm/s	420	350	380
	Lowering		With Load	mm/s	600	
		Without Load	mm/s	300		
<b>Gradeability</b>	With / Without Load	%	20	18		
<b>Total Weight</b>		Kg	9040	10495	12510	
<b>Tyre Sizes</b>		Front	8.25 - 15 - 14PR		9.00 - 20 - 14PR	
		Rear	8.25 - 15 - 14PR		9.00 - 20 - 14PR	
<b>Wheel Base</b>		mm	2250	2275	2800	
<b>Tread</b>		Front	mm	1760	1795	1980
		Rear	mm	1720		
<b>Brake (s)</b>	Service			Hydraulic-Foot Pedal		
	Parking			Mechanical-Hand Lever		
<b>Battery</b>	Voltage / Capacity	V / AH	2 x 12 / 105			
<b>Engine</b>	Model			6102BG		
	Rated Horsepower		bhp/r.p.m	111/2500		
	Rated Torque		N.m./r.p.m	353 / 1650		
	Number of Cylinders			6		
	Displacement		Ltrs.	5.785		
Fuel Tank Capacity		Ltrs.	140			
<b>Transmission</b>	Number of Speeds			2/2 Power Shift		
<b>Operating Pressure</b>	For Attachment	Kg / cm <sup>2</sup>	200			



### STANDARD DIMENSIONS

MODEL	AF 60D	AF 80D	AF 100D
A Overall Height fork raised (*with Load Back Rest)	4380*		4320
B Max fork Height	3000		
C Overall Height fork Lowered	2500		2850
D Backrest Height	1380		N/A
E Free Lift	150		210
F Fork Thickness	60	80	
G Min clearance (Bottom of mast)	170		250
H Overall Length (with forks)	4770	4860	5390
I Overall Length (without forks)	3550	3740	4170
J Fork Length	1220		
K Fork Overhang	590		720
L Wheel base	2250	2275	2800
M Rear Overhang	733		740
N Coupler Height	450		520
O Ground clearance (Bottom of Frame)	240		330
P Overall Height (overhead guard)	2450		2585
Q Overall width	1995	2025	2245
R Lateral fork Adjustment	300-1835		400-2140
S Tread (Front)	1760		1910
T Tread (Rear)	1720		
U Fork width	150		175
V Inside Turning radius	1600		2100
W Outside Turning radius	3300	3400	3900
X Min. Intersecting aisle	3000	3040	3540
Y Tilting angles ( $\alpha$ - $\beta$ )	6°-12°		
Z Seat Height from Ground level	1225		1370



# FORKLIFTS

## Forklifts

### STANDARD EQUIPMENT

- Wide view mast
- Load backrest for AF60D & AF80D
- Standard forks
- Power steering
- Retaining rollers
- Overhead guard
- Standard seat (Adjustable)
- Drawbar pin
- Air cleaner
- Parking brake lever
- Lift, tilt levers
- Dipstick for TC oil
- Return hydraulic filter
- TC oil filter
- Lift Circuit cut-off valve
- Overhead air intake
- Radiator reservoir
- Tilt adjustable steering wheel
- Turn indicator Lights
- Hour meter
- Water temperature meter
- Fuel meter
- Engine oil pressure warning indicator
- Electric charge indicator
- Halogen head lights
- Rear combination lights
- Rear view mirrors
- Reverse Buzzer
- Electric horn
- Neutral safety switch (TC)
- Rubber floor mat
- Tool kit
- Front dual wheels

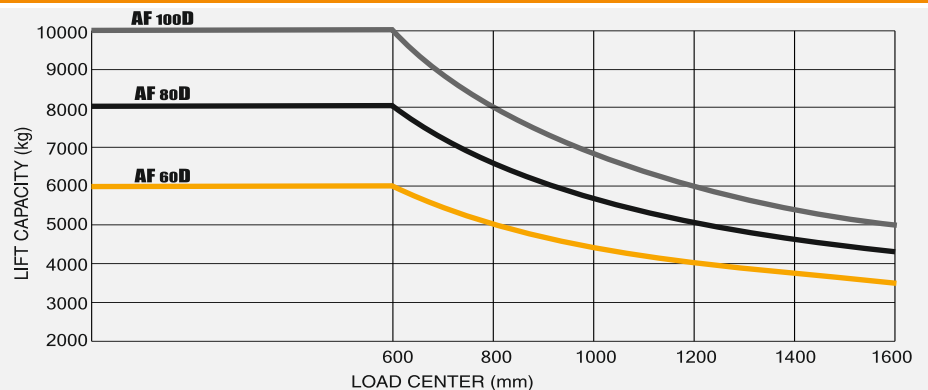
### OPTIONAL EQUIPMENT

- Spark arrester
- Solid tyres
- Fire extinguisher

### OPTIONAL ATTACHMENTS

- Different Mast type
- Fork extensions
- Fork positioner
- Crane attachment
- Ram attachment
- Container handling model
- Container stuffing model

### LOAD CHART



### Model AF80D (Empty Container Handler)

- Robust design to handle 3 high stacking (6 mtr lift height)
- Fitted with wide carriage and 2400 mm long forks for stability



# ACE

## Mobile Cranes (3-50 Tons)



## Tractors



## Mobile Tower Cranes



## Forklifts



## Crawler Cranes



## Harvester Combine



## Backhoe Loader



## Vibratory Rollers



## Tower Cranes



## Motor Grader



## Concrete Placing Booms

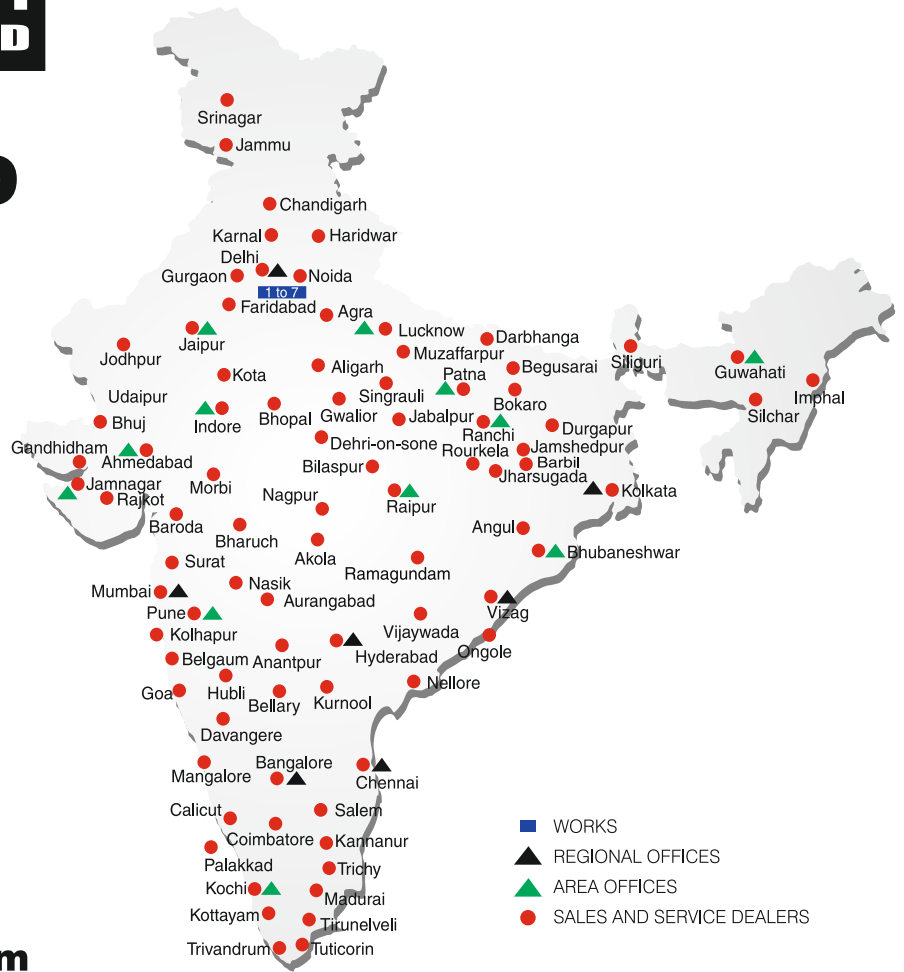


# BUILT TO PERFORM



**RELIABLE AND  
DEPENDABLE  
EFFICIENCY**

## NETWORK



**Toll Free Help Line  
1800 1800 004**

[www.ace-cranes.com](http://www.ace-cranes.com)

### MARKETING H.Q.

4th Floor, Pinnacle  
Surajkund, NCR-121009  
Ph. : +91-129-4550000  
Fax : +91-129-4550022  
E-mail: marketing@ace-cranes.com

### REGISTERED OFFICE

Dudhola Link Road, Dudhola  
Palwal-121102, Haryana  
Ph.: +91-1275-280111  
Fax: +91-1275-280133  
CIN : L74899HR1995PLC053860

### MUMBAI OFFICE

31, "Kalpataru Court"  
Chembur, Mumbai - 400074  
Ph.: +91-22-25206846, 25207070  
Fax: +91-22-25207071  
E-mail: acemumbai@ace-cranes.com

### KOLKATA OFFICE

"Forma Towers" 84-A, Second Floor  
AJC Bose Road, Kolkata - 700014  
Ph.: +91-9038070630  
E-mail: acekolkata@ace-cranes.com

### CHENNAI OFFICE

1st Floor, "Alsa Regency", 165  
Eldams Road, Alwar Pet  
Chennai - 600018  
Ph.: +91-44-24314253  
Fax: +91-44-24314252  
E-mail: acechennai@ace-cranes.com

## HERE TO SERVE YOU.

### SPARE PARTS & SERVICE

ACE has all India Sales and Service network operating out of all the major cities. These outlets are fully equipped to provide genuine spare parts and services by company trained engineers. These outlets are further supported by company officials based at Delhi, Mumbai, Chennai, Kolkatta, Ahmedabad, Surat, Pune, Jaipur, Chandigarh, Ranchi, Raipur, Indore, Bhubneshwar, Lucknow, Jamnagar, Hyderabad, Bangalore, Guwahati, Patna, Vizag & Kochi.



**Action Construction Equipment Ltd.**

Contact:



ACE reserves the right to alter any specifications without prior notice. Dimensions, weights & capacities mentioned herein are variable by ± 5%. Accessories if shown are not part of the Standard Equipment.

AF60D-100D/11/17