

ACE

Diesel Forklifts

Capacity : 4 - 5 Tons

High Performance & rugged
Diesel Forklift Trucks.

ACE

**INDIA'S NO. 1
CRANE BRAND**





SPECIFICATIONS

Model		Units	AF 40D	AF 50D	
Load Capacity		Kg	4000#	5000	
Load Center		mm	500	600	
Power			Diesel		
Tyres	Front / Rear		Pneumatic/Solid		
Wheel (s)	Front / Rear (SD/DD) #		2/2 or 4/2		
Fork Height (std.)		mm	3000		
Fork Size (LxWxT)		mm	1070 x 125 x 45	1220 x 150 x 55	
Transmission	Number of Speeds - Fwd / Rev		1/1 (Automatic)	2 / 1 (Automatic)	2 / 2 (Manual Shift)
Speed (s)	Travel (Fwd / Rev)	With Load	Km/h	20	22
		Without Load	Km/h	22	24
	Lifting	With Load	mm/Sec	360	190
		Without Load	mm/Sec	450	205
	Lowering	With Load	mm/Sec	550	450
		Without Load	mm/Sec	320	440
Gradeability (Laden/Unladen)		%	18	20/22	
Total Weight		Kg	4800	7560	8000
Tyre Sizes		Front	28x9-15-12PR	3.00 – 15	
		Rear	6.50 – 10 – 10PR	7.00 – 12	
Wheel Base		mm	1835	2000	2150
Brake (s)	Service		Hydraulic-Foot Pedal		
	Parking		Mechanical-Hand Lever		
Battery	Voltage / Capacity		V / Ah	12 / 70	12 / 88
Engine	Model		S433	4805	A75 TC
	Rated Horsepower		bhp/rpm	48.67 @ 2200	80 bhp @ 2300
	Rated Torque		Nm(Kgm)/rpm	195 @ 1100-1500	300 / 1500
	Number of Cylinders			4	
	Displacement		Ltrs.	3.3	3.53
	Fuel Tank Capacity		Ltrs.	65	75
Operating Pressure	For Attachment		Kg / cm2 (Bar)	175	180

Mast Details

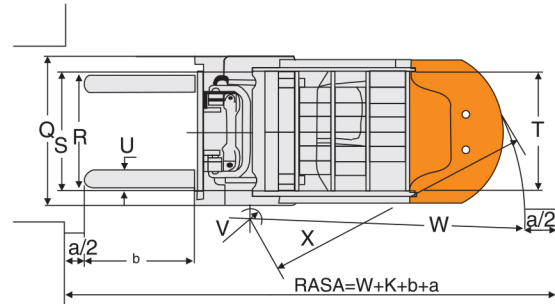
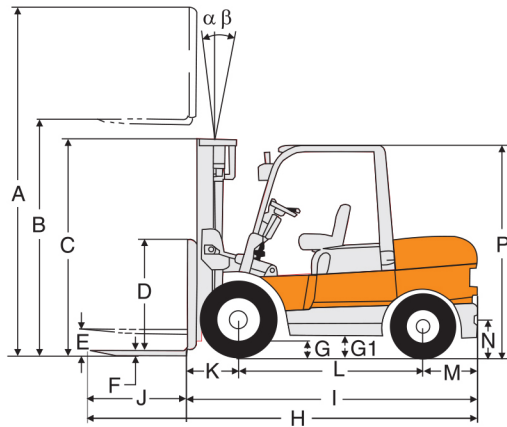
MASTTYPE	Fork Height (mm)	Load Capacity (kg)		Overall Height Lowered (mm)		Free lift (mm)		TILT ANGLE (α-β)	
		AF40D	AF50D	AF40D	AF50D	AF40D	AF50D	AF40D	AF50D
Double Mast 3 mtrs. (STD)	3000	4000	5000	2050	2210	150	150	6/12	
Double Mast 3 mtrs. (FFL) *	3000	4000	5000	2050	2210	1500	1550	6/12	
Double Mast 3.6 mtrs. (STD)	3600	4000	5000	2290	2525	150	150	6/12	
Triple Mast 4.5 mtrs (FFL) *	4500	2200/2700 #(SD/DD)	4200/4500 #(SD/DD)	2080	2225	1500	1550	6/6	
Triple Mast 6.0 mtrs (FFL)	6000	1050/1950 #(SD/DD)	2500/4000 #(SD/DD)	2600	2900	1940	1980	3/6	

* Suitable for container stuffing

FFL - Full free lift

#(SD/DD) - Single Drive / Dual Drive

#AF40D can lift 3000 kg@900mm Load centre



STANDARD DIMENSIONS

Model	AF40D		AF50D	
	Automatic		Automatic	Mechanical
A. Overall height fork raised	4230		4300	4300
B. Max. fork height (Standard Model)	3000			
C. Overall height fork lowered	2050	2210	2210	2210
D. Backrest height (from upper face of forks)	1220	1220	1220	1220
E. Free lift	150	150	150	150
F. Fork thickness	45	55	55	55
G. Min. clearance (bottom of mast)	120	125	125	125
G1. Min. clearance (bottom of chassis)	150	165	165	165
H. Overall length (with forks)	4025	4400	4475	4475
I. Overall length (without forks)	2910	3180	3255	3255
J. Fork length	1070	1220	1220	1220
K. Front overhang	495	560	575	575
L. Wheel base	1835	2000	2100	2100
M. Rear overhang	550	580	580	580
N. Coupler height	370	400	400	400
P. Overall height (overhead guard)	2150	2250	2250	2250
Q. Overall width (SD/DD)	1220/1680	1480/1990	1480/1990	1480/1990
R. Lateral fork adjustment (SD/DD)	250~1090/ 250~1440	300~1380/300~2100	300~1380/300~2100	300~1380/300~2100
S. Trade (front) (SD/DD)	1000/1460	1175/1730	1175/1730	1175/1730
T. Trade (Rear)	980	1200	1200	1200
U. Fork width	125	150	150	150
V. Inside turning (SD/DD)	550/900	700/1000	700/1000	700/1000
W. Outside turning Radius (SD/DD)	2700/3150	2800/3100	2900/3200	2900/3200
X. Min. intersecting aisle	2300	3000	3200	3200

* All dimensions are in mm.

* RASA = Right Angle Stacking Aisle, a = Operator Clearance, b = Load Length



FORKLIFTS

Forklifts

STANDARD EQUIPMENT

- Wide view mast
- Load backrest
- Standard forks
- Power steering
- Retaining rollers
- Overhead guard
- Standard seat (Adjustable)
- Drawbar pin
- Air cleaner
- Parking brake lever
- Lift, tilt levers
- Dipstick for TC oil
- Return hydraulic filter
- TC oil filter
- Lift Circuit cut-off valve
- Tilt adjustable steering wheel
- Turn indicator Lights
- Hour meter
- Water temperature meter
- Fuel meter
- Engine oil pressure warning indicator
- Electric charge indicator
- LED lights
- Rear combination lights
- Rear view mirrors
- Reverse Buzzer
- Electric horn
- Neutral safety switch (TC)
- Rubber floor mat
- Tool kit

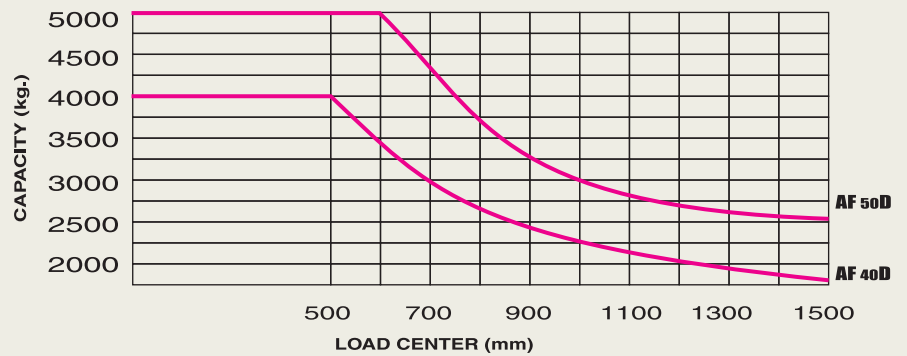
OPTIONAL EQUIPMENT

- Different Mast type (Refer Mast Details)
- Solid tyres
- All weather steel cabin
- Air conditioned operator cabin
- Spark arrester
- Front dual wheels
- Fire extinguisher
- Water muffler
- Long fork
- Oxy catalytic converters
- Auto greasing system
- Safe load Indicator
- Blue spot light
- Red safe zone light

OPTIONAL ATTACHMENTS

- Fork extensions
- Side shifter
- Hinged forks with bucket
- Bale clamp
- Rotating forks
- Crane attachment
- Ram attachment
- Drum(s) handling attachment
- Paper roll clamp
- Fork Positioner

LOAD CHART



Attachments





COMPLETE MATERIAL HANDLING SOLUTION



*Nothing beats an **ACE***



Electric Forklifts



1.5T - 3.0T



4.5T - 6.0T



1.5T - 3.0T



4.0T - 10T



12T - 35T

LPG Forklifts



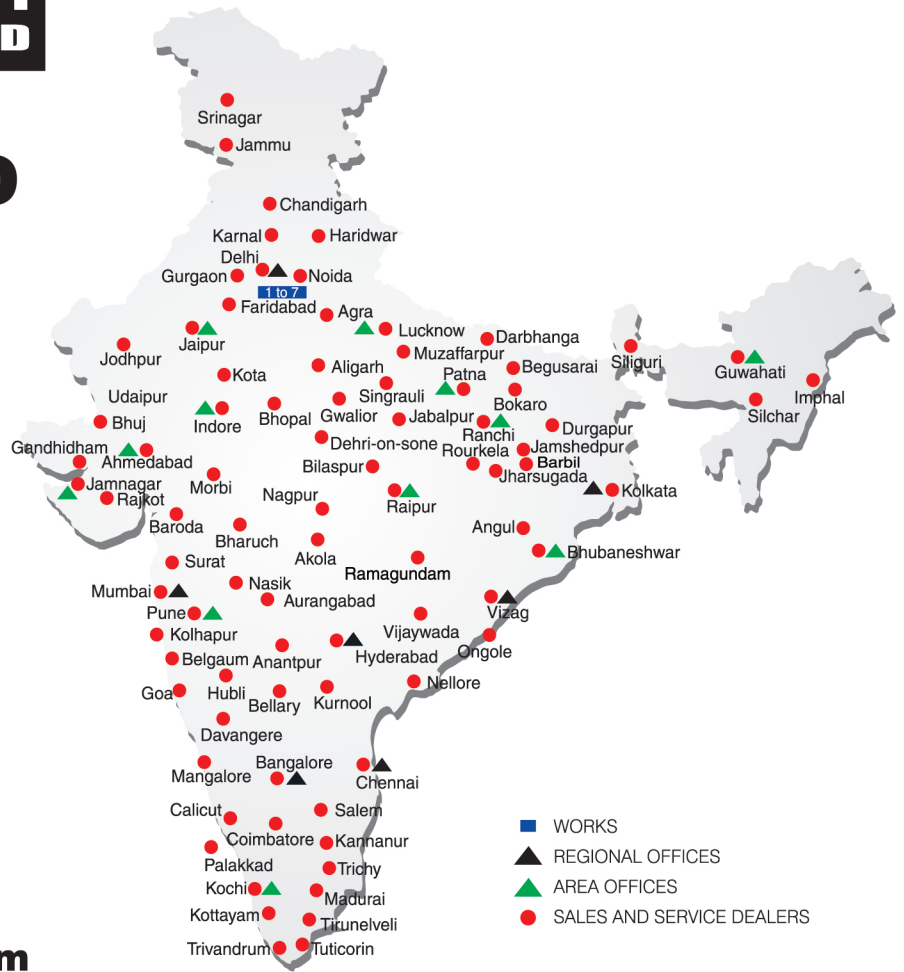
3.0T - 5.0T

BUILT TO PERFORM



**RELIABLE AND
DEPENDABLE
EFFICIENCY**

NETWORK



**Toll Free Help Line
1800 1800 004**

www.ace-cranes.com

MARKETING H.Q.

4th Floor, Pinnacle
Surajkund, NCR-121009
Ph. : +91-129-4550000
Fax : +91-129-4550022
E-mail: marketing@ace-cranes.com

REGISTERED OFFICE

Dudhola Link Road, Dudhola
Palwal-121102, Haryana
Ph.: +91-1275-280111
Fax: +91-1275-280133
CIN : L74899HR1995PLC053860

MUMBAI OFFICE

31, "Kalpataru Court"
Chembur, Mumbai - 400074
Ph.: +91-22-25206846, 25207070
Fax: +91-22-25207071
E-mail: acemumbai@ace-cranes.com

KOLKATA OFFICE

"Forma Towers" 84-A, Second Floor
AJC Bose Road, Kolkata - 700014
Ph.: +91-9038070630
E-mail: acekolkata@ace-cranes.com

CHENNAI OFFICE

1st Floor, "Alsa Regency", 165
Eldams Road, Alwar Pet
Chennai - 600018
Ph.: +91-44-24314253
Fax: +91-44-24314252
E-mail: acechennai@ace-cranes.com

HERE TO SERVE YOU.

SPARE PARTS & SERVICE

ACE has all India Sales and Service network operating out of all the major cities. These outlets are fully equipped to provide genuine spare parts and services by company trained engineers. These outlets are further supported by company officials based at Delhi, Mumbai, Chennai, Kolkatta, Ahmedabad, Surat, Pune, Jaipur, Chandigarh, Ranchi, Raipur, Indore, Bhubneshwar, Lucknow, Jamnagar, Hyderabad, Bangalore, Guwahati, Patna, Vizag & Kochi.



Action Construction Equipment Ltd.

Contact:



ACE reserves the right to alter any specifications without prior notice. Dimensions, weights & capacities mentioned herein are variable by ± 5%. Accessories if shown are not part of the Standard Equipment.