

# ACE Forklifts

**Capacity : 25 - 35 tonnes**

High Performance and rugged  
Forklift Trucks.

**ACE** INDIA'S NO. 1  
CRANE BRAND





## SPECIFICATIONS

Model	Unit	AF 250D	AF 300D	AF 350D		
<b>Load Capacity</b>	Kg.	25000	30000	35000		
<b>Load Center</b>	mm	1220	1220	1220		
<b>Power</b>		Diesel				
<b>Tyres</b> <span style="float: right;">Front / Rear</span>		Pneumatic				
<b>Wheel (s)</b> <span style="float: right;">Front / Rear</span>		4/2				
<b>Fork Size (LxWxT)</b>	mm	2440X280X110	2440X320X110	2440X340X125		
<b>Tilt Angle ( α - β )</b>	deg	6° - 12°				
<b>Turning Radius (Outside)</b>	mm	6500	7200	7200		
<b>Right Angle Stacking Aisle Width</b> (Add Load length and Clearance)	mm	9940	10840	10955		
<b>Speed (s)</b>	Travel (Fwd / Rvs)	With Load	Km/h	24	24	25
		Without Load	Km/h	28	28	30
	Lifting	With Load	mm/s	220	230	230
		Without Load	mm/s	280	280	280
	Lowering	With Load	mm/s	≤500	≤500	≤500
		Without Load	mm/s	≤500	≤500	≤500
<b>Gradeability</b> <span style="float: right;">With / Without Load</span>	%	20	20	20		
<b>Total Weight</b>	Kg	33000	39500	43000		
<b>Weight Distribution</b>	With Load	Front	Kg	52200	63000	71300
		Rear	Kg	5000	6500	6700
	Without Load	Front	Kg	15000	18500	19200
		Rear	Kg	18000	21000	23800
<b>Tyre Sizes</b>	Front		4x14.00-24/28PR	4x14.00-24/28PR	4x16.00-25/32PR	
	Rear		2x14.00-24/28PR	2x14.00-24/28PR	2x16.00-25/28PR	
<b>Brake (s)</b>	Service		Caliper disc brake			
	Parking		inside expanding manual brake			
<b>Battery</b>	Voltage / Capacity	V / AH	2x12v/120			
<b>Engine</b>	Rated Horsepower	bhp/r.p.m	240 hp@ 2200	260 hp@ 2200	260 hp@ 2200	
	Rated Torque	N.m(Kg.m)/r.p.m	1029/1500	1025/1400	1025/1400	
	Number of Cylinders	Nos.	6	6	6	
	Displacement	Ltrs.	8.3	8.3	8.3	
	Fuel Tank Capacity	Ltrs.	300	350	350	
	Make/Model		Cummins 6CTA8.3-C240	Cummins 6CTA8.3-C260	Cummins 6CTA8.3-C260	
<b>Transmission</b>	Number of Speeds - Fwd / Rvs		2F/1R			
			2F/1R			
<b>Operating Pressure</b>	For Attachment	Kg / cm <sup>2</sup>	180			

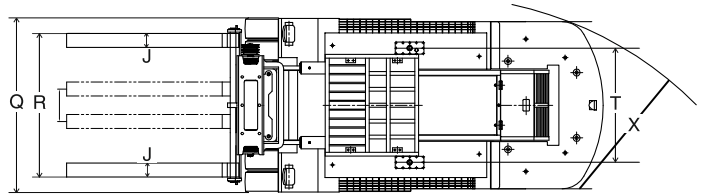
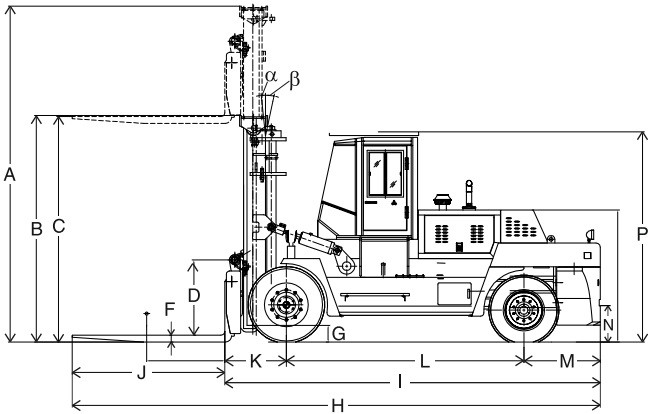
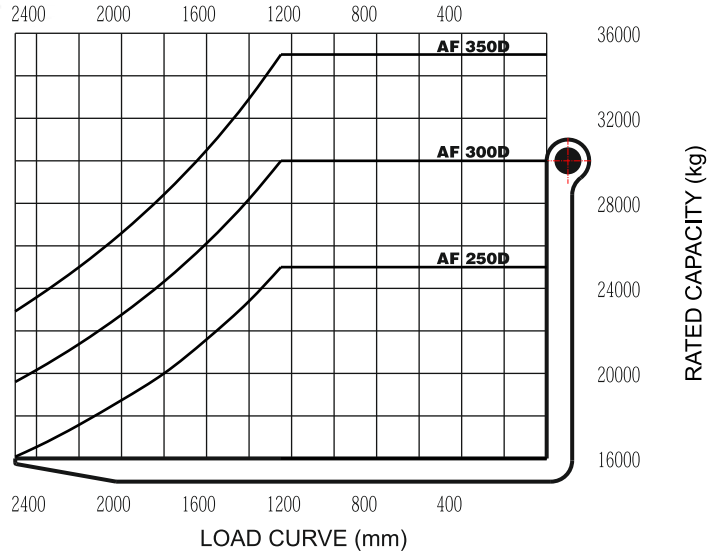
### Standard Equipment

- ✓ ROPS Cabin with AC
- ✓ Fork Positioner
- ✓ Lights
- ✓ Joystic control
- ✓ Wide view Mast
- ✓ Standard forks
- ✓ Power steering
- ✓ Standard seat (adjustable)
- ✓ Turn indicator lights
- ✓ Hour meter
- ✓ Rear view mirrors

### Optional Equipment

- ✓ Solid cushion tyres
- ✓ Different mast heights
- ✓ Side shifter-cum-Fork positioner (in lieu of Fork positioner)
- ✓ Canopy (in lieu of AC cabin).





### STANDARD DIMENSIONS

Model	AF 250D	AF 300D	AF 350D
	mm	mm	mm
A. Overall height fork raised	5380	5770	5820
B. Max. fork height (Standard Model)		3500	
C. Overall height fork lowered	3610	4000	4050
D. Backrest height (from upper face of forks)	1035	1290	1290
E. Free lift	—	—	—
F. Fork thickness	110	110	125
G. Min. clearance (bottom of mast)	250	400	400
H. Overall length (with forks)	9070	9690	9705
I. Overall length (without forks)	6630	7250	7265
J. Fork length	2440	2440	2440
K. Front overhang	1000	1110	1125
L. Wheel base	4400	4800	4800
M. Rear overhang	1275	1340	1340
N. Coupler height	1845	1940	2100
O. Overhead guard clearance (from face of seat)	1050	1050	1050
P. Overall height (overhead guard)	3580	3700	3760
Q. Overall width	3020	3200	3300
R. Lateral fork adjustment	852-2270	930-2620	970-2800
S. Tread (front)	2200	2490	2490
T. Tread (rear)	2390	2450	2450
U. Fork width	280	320	340
V. Inside turning radius	1220	1590	1540
W. Outside turning radius	6500	7300	7400
X. Min. intersecting aisle	5600	5800	6000
Y. Tilting angles ( $\alpha - \beta$ )		6° - 12°	

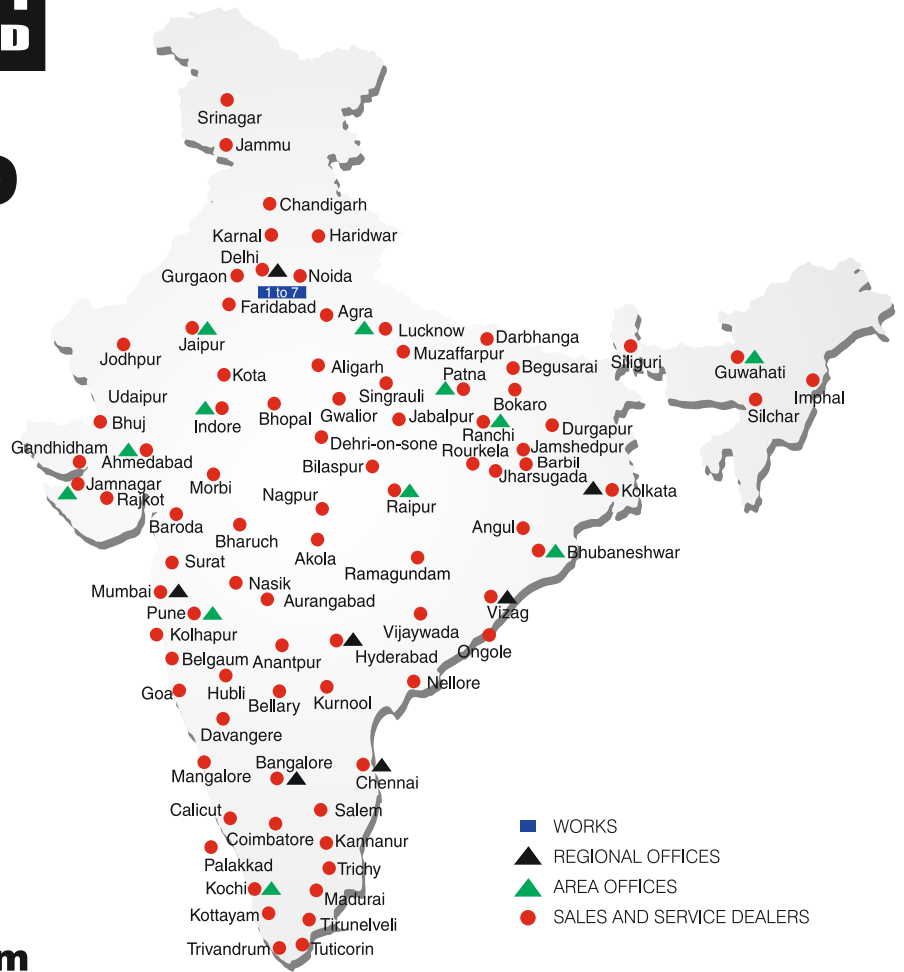
\*RASA = Right Angle Stacking Aisle, a = Clearance, b = Load Length

# BUILT TO PERFORM



**RELIABLE AND  
DEPENDABLE  
EFFICIENCY**

## NETWORK



**Toll Free Help Line  
1800 1800 004**

[www.ace-cranes.com](http://www.ace-cranes.com)

### MARKETING H.Q.

4th Floor, Pinnacle  
Surajkund, NCR-121009  
Ph. : +91-129-4550000  
Fax : +91-129-4550022  
E-mail: marketing@ace-cranes.com

### REGISTERED OFFICE

Dudhola Link Road, Dudhola  
Palwal-121102, Haryana  
Ph.: +91-1275-280111  
Fax: +91-1275-280133  
CIN : L74899HR1995PLC053860

### MUMBAI OFFICE

31, "Kalpataru Court"  
Chembur, Mumbai - 400074  
Ph.: +91-22-25206846, 25207070  
Fax: +91-22-25207071  
E-mail: acemumbai@ace-cranes.com

### KOLKATA OFFICE

"Forma Towers" 84-A, Second Floor  
AJC Bose Road, Kolkata - 700014  
Ph.: +91-9038070630  
E-mail: acekolkata@ace-cranes.com

### CHENNAI OFFICE

1st Floor, "Alsa Regency", 165  
Eldams Road, Alwar Pet  
Chennai - 600018  
Ph.: +91-44-24314253  
Fax: +91-44-24314252  
E-mail: acechennai@ace-cranes.com

## HERE TO SERVE YOU.

### SPARE PARTS & SERVICE

ACE has all India Sales and Service network operating out of all the major cities. These outlets are fully equipped to provide genuine spare parts and services by company trained engineers. These outlets are further supported by company officials based at Delhi, Mumbai, Chennai, Kolkatta, Ahmedabad, Surat, Pune, Jaipur, Chandigarh, Ranchi, Raipur, Indore, Bhubneshwar, Lucknow, Jamnagar, Hyderabad, Bangalore, Guwahati, Patna, Vizag & Kochi.



**Action Construction Equipment Ltd.**

Contact:



ACE reserves the right to alter any specifications without prior notice. Dimensions, weights & capacities mentioned herein are variable by ± 5%. Accessories if shown are not part of the Standard Equipment.